



LYS-WHT-38901N

SPECIFICATION DATA SHEET

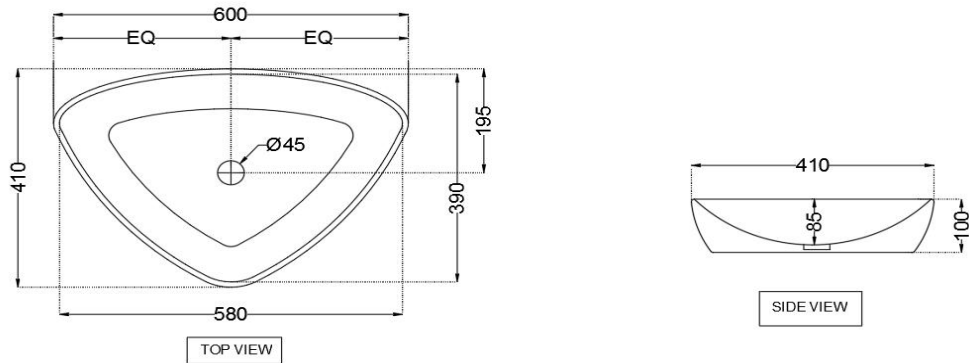
PRODUCT DETAILS

Manufacturer	Jaquar	Type	Table top basin
Outlet	Vertical	Colour	White
Technical Details:	ID of waste outlet hole dia. $\varnothing 45 \pm 3$ mm	Material	Ceramic - Vitreous China
	Horizontal distance between the Bowl edge and the center line of the waste outlet hole ≤ 195 mm		

PRODUCT IMAGE



TECHNICAL DRAWING



Product Dimension	600x410x100 mm	FEATURES Thin rim and anti germ glaze .
Basin Inner Dimension	580X390X85 mm	
Product Weight	7.25 kg	

CERTIFICATION

Compliance : EN 997 :2012+A1 2015 (E) ,MS 2578: 2014, AMD. 1: 2017., SANS 497 : 2011



All technical dimensions are in accordance to British standards, Bureau of Indian Standards

DISCLAIMER: Our every effort has been made to ensure factual accuracy, the information presented subject to changes due to requirements in different sites, markets and/ or countries. All dimensions are in mm (Tolerance ± 5 MM). Jaquar reserves the right to make the necessary amendments at any time without prior notice.