



SLS-WHT-6751S240PPZ

SPECIFICATION DATA SHEET

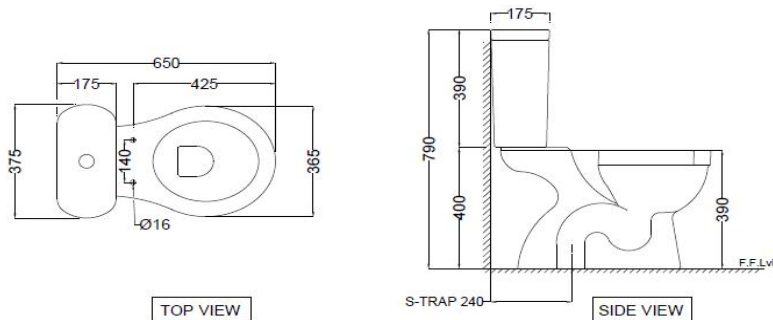
PRODUCT DETAILS

Manufacturer	Jaquar	Type:	Complete Set For Coupled WC (S-Trap)
Colour	White	Outlet	Vertical
Technical Details	External diameter of outlet hole $\varnothing 100 \pm 5$ mm	Material:	Ceramic - Vitreous China
	Horizontal distance between the wall line and the centre line of the waste outlet hole ≤ 240 mm		

PRODUCT IMAGE



TECHNICAL DRAWING



Product Dimension	375X650X790 mm	FEATURES Box Rim with Dual Flushing, Dual Flush-3/6 LPF, Anti germ glaze.
Trap Distance	S Trap - 240 mm	
Product Weight	29.7 Kg	

ACCESSORIES INCLUDED

PP soft Close seat cover	SLS-WHT-6105PP
Floor fixing screw	ZPS-SNS-FB01
Wax seal	ZPS-WHT-1401
Cistern	SLS-WHT-6201C
Cistern Fittings	ZCF-WHT-FT003

CERTIFICATION

Compliance : EN 997 :2012+A1 2015 (E), SANS 497 : 2011

All technical dimensions are in accordance to British standards, Bureau of Indian Standards



DISCLAIMER: Our every effort has been made to ensure factual accuracy, the information presented subject to changes due to requirements in different sites, markets and/or countries. All dimensions are in mm (Tolerance ± 5 MM). Jaquar reserves the right to make the necessary amendments at any time without prior notice.