



LAS-WHT-91805+LAS-WHT-91303

SPECIFICATION DATA SHEET

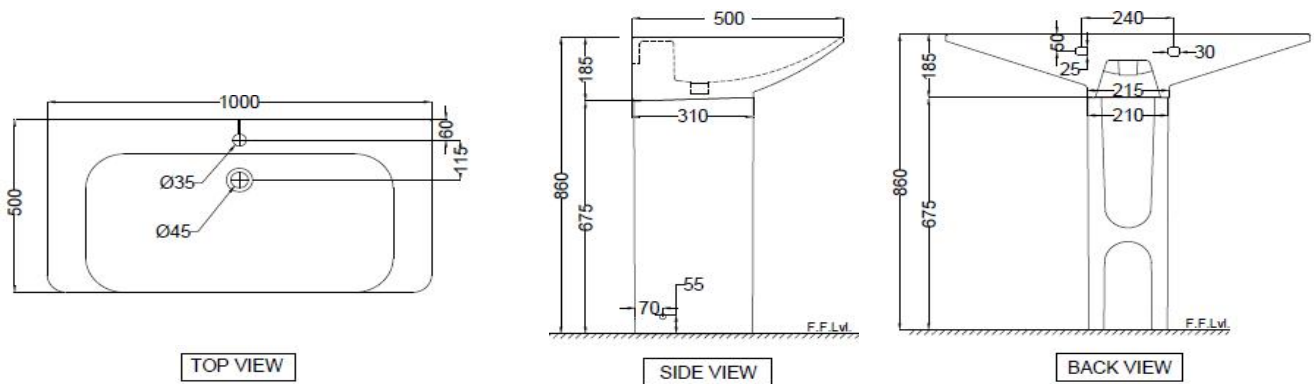
PRODUCT DETAILS

Manufacturer :	Jaquar	Type:	Wall Hung Basin with full pedestal
Outlet	Vertical	Colour:	White
Technical Details:	Tap hole dia. $\varnothing 35 \pm 2$ mm	Material:	Fine Fire Clay
	ID of waste outlet hole dia. $\varnothing 45 \pm 3$ mm	Horizontal distance between the centre line of the tap hole and the centre line of the waste outlet hole ≤ 115 mm	

PRODUCT IMAGE



TECHNICAL DRAWING



Product Dimension	1000x500x185 mm	FEATURES Exclusive design with soft corner, Rectangular shape, Basin with tap hole, with fixing rag bolt, Anti germ glazed
Basin Inner Dimension	800x400x130 mm	
Product Weight	24.5 + 12.5 kg	

ACCESSORIES INCLUDED

Rag bolt

ZPS-MST-RB03

CERTIFICATION

Compliance: EN 14688 : 2015 (E) A, SANS 497:2011

All technical dimensions are in accordance to British standards, Bureau of Indian Standards



DISCLAIMER: Our every effort has been made to ensure factual accuracy, the information presented subject to changes due to requirements in different sites, markets and/ or countries. All dimensions are in mm (Tolerance ± 5 MM). Jaquar reserves the right to make the necessary amendments at any time without prior notice.