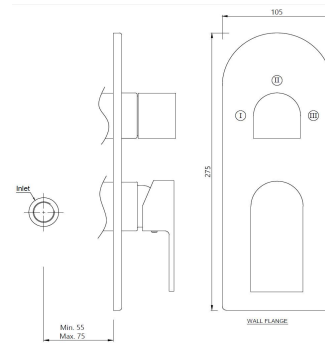


| | |
|--|---|
| Product Code | ALI-CHR-85783NK |
| Description | Aquamax Exposed Part Kit of Single Lever Shower Mixer with 3-way diverter (Compatible In-wall Parts ALD-783N or ALD-783NE are sold separately) |
| Recommended Water Pressure | 0.2 Bar- 5 bar |
| Brass Specification in Percentage | <p>Brass Rod as per IS:319-1989 Cu (56.0-59.0), Pb (2.0-3.5), Fe (0.0-0.35), Total Impurity (0.0-0.7), Zn (Remainder)</p> <p>Brass Sheets as per IS:410-1977 Cu (61.5-64.5), Pb (0.0-0.3), Fe (0.0-0.075), Total Impurity (0.0-0.6), Zn (Remainder)</p> |
| Finish | Plating: Nickel-10.0 micron Chromium-0.3 micron Salt Spray (500 hrs + Validated) Adhesion (Pass) |
| Available Colour Finishing | Antique Bronze (ABR), Antique Copper (ACR), Black Chrome (BCH), Black Matt (BLM), Gold Dust (GDS), Auric Gold (GLD), Graphite (GRF), Stainless Steel Finish (SSF) & White Matt (WHM) |
| <p>DISCLAIMER: Our every effort has been made to ensure factual accuracy, the information presented subject to changes due to requirements in different sites, markets and/ or countries. Jaquar reserves the right to make the necessary amendments at any time without prior notice.</p> | |



| | |
|--|--|
| Product Code | ALI-CHR-85783NK |
| Description | Aquamax Exposed Part Kit of Single Lever Shower Mixer with 3-way diverter (Compatible In-wall Parts ALD-783N or ALD-783NE are sold separately) |
| Recommended Water Pressure | 0.2 Bar- 5 bar |
| Brass Specification in Percentage | Brass Rod as per IS:319-1989 Cu (56.0-59.0), Pb (2.0-3.5), Fe (0.0-0.35), Total Impurity (0.0-0.7), Zn (Remainder) Brass Sheets as per IS:410-1977 Cu (61.5-64.5), Pb (0.0-0.3), Fe (0.0-0.075), Total Impurity (0.0-0.6), Zn (Remainder) |
| Finish | Plating: Nickel-10.0 micron Chromium-0.3 micron Salt Spray (500 hrs + Validated) Adhesion (Pass) |
| Available Colour Finishing | CHROME (CHR) |
| <p>DISCLAIMER: Our every effort has been made to ensure factual accuracy, the information presented subject to changes due to requirements in different sites, markets and/ or countries. Jaquar reserves the right to make the necessary amendments at any time without prior notice.</p> | |