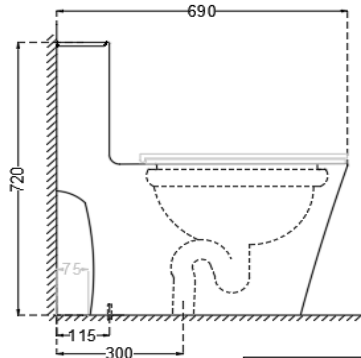
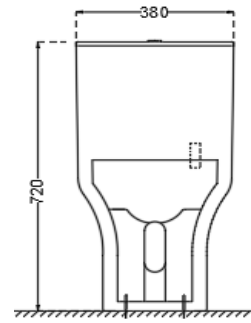


TOP VIEW



SIDE VIEW



BACK VIEW

General Information

Product Code	CNS-WHT-861S300UF
Brand	Jaquar
Colour	White
Type	Single Piece WC (S-Trap)
Material	Ceramic - Vitreous China

Product Specification

Product Dimension	380x690x720 mm
Inner Dimension	290X360 mm
Product Net Weight	41.0 Kg
Product Gross Weight	45.0 Kg
Packaging Dimension	700X400X740mm
Outlet	Vertical
Waste Hole Dimension	Horizontal distance between the wall and the centre line of the waste outlet hole \leq 300 mm

Product Features	Rimless Bowl For Single Piece WC with Cistern Tank, UF slim seat cover to be quick release ,Siphonic Dual Flush 3 and 6 LPF, Smooth surface glaze, Anti germ glaze,
------------------	---

ACCESSORIES INCLUDED

UF Soft Close Seat cover	CNS-WHT-125UF
Floor Fixing Screw	ZPS-SNS-FB01
Cistern Fittings	ZCF-WHT-FT002
Wax Seal	ZPS-WHT-1401

CARE AND CLEANING GUIDELINES

- Vitreous china sanitary ware products are fragile in nature and need to be handled with care (to avoid personal injury) at all times during its storage, handling, installation and use thereafter.
- The product is heavy and it is recommended that two persons hold it while it is being fixed.
- Carefully inspect the new product for damage before installation.
- Risk of product damage. Over tightening may cause breakage or chipping of vitreous china.
- Risk of external leakage. Do not lift or rock the bowl after placement.
- Always test your cleaning solution on an inconspicuous area on the product before applying it to the entire surface.
- Do not allow cleaners to sit or soak on the product.
- Use a soft, dampened sponge or cloth to clean. Never use abrasive material like a bristle brush or scouring pad.
- Wipe surfaces clean and rinse completely with water immediately after applying cleaners.
- Clean Chrome, stainless steel surfaces once a week. Do not use cleaners containing chloride on chrome, stainless steel. If used, rinse the surface immediately to prevent corrosion.
- Wherever chrome plating is used on the products, use only warm water to clean and then dry with a soft cloth.

QUALITY MANAGEMENT SYSTEM - ISO 9001



DISCLAIMER: Our every effort has been made to ensure factual accuracy, the information presented subject to changes due to requirements in different sites, markets and/or countries. All dimensions are in mm (Tolerance \pm 5 MM). Jaquar reserves the right to make the necessary amendments at any time without prior notice.