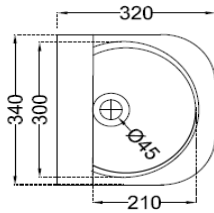
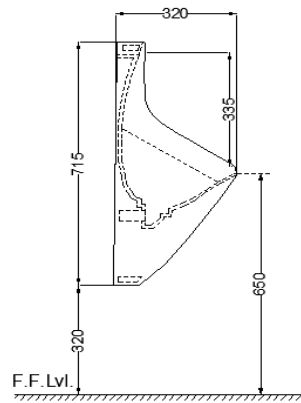




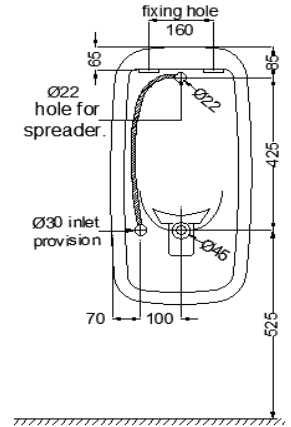
PRODUCT IMAGE



TOP VIEW



SIDE VIEW



BACK VIEW

**General Information**

Product Code	LAS-WHT-91251
Brand	Jaquar
Colour	White
Type	Wall Mount Urinal
Material	Ceramic - Vitreous China

**Product Specification**

Product Dimension	340x320x715 mm
Urinal Inner Dimension	300x210x335 mm
Product Net Weight	21 kg
Product Gross Weight	22 kg
Packaging Dimension	350x330x725 mm
Outlet	Vertical

Functional Dimension	Spreader hole dia. $\varnothing 22 \pm 2$ mm
	Water inlet hole dia. $\varnothing 30 +2/-1$ mm
	Urinal drain hole dia. $\varnothing 45 +2/-1$ mm
	Vertical distance between the centre line of the Inlet and the centre line of the waste outlet hole $\leq 425$ mm

Product Features	Anti-germ glaze, Uniform flushing, brass chrome-plated spreader, designer urinal from Matteo Thun.
------------------	--

**ACCESSORIES INCLUDED**

Fixing Accessories Set	ZPS-WHT-FB20
Ceramic waste Dome of Urinal	
Urinal spreader	ALD-CHR-1045

**ACCESSORIES RECOMMENDATION**

Urinal Spreader	Use urinal genuine accessories, Urinal spreader; for installation refer urinal video.
-----------------	---

**CARE AND CLEANING GUIDELINES**

- Vitreous china sanitary ware products are fragile in nature and need to be handled with care (to avoid personal injury) at all times during its storage, handling, installation and use thereafter.
- The product is heavy and it is recommended that two persons hold it while it is being fixed.
- Carefully inspect the new product for damage before installation.
- Risk of product damage. Over tightening may cause breakage or chipping of vitreous china.
- Risk of external leakage. Do not lift or rock the bowl after placement.
- Always test your cleaning solution on an inconspicuous area on the product before applying it to the entire surface.
- Do not allow cleaners to sit or soak on the product.
- Use a soft, dampened sponge or cloth to clean. Never use abrasive material like a bristle brush or scouring pad.
- Wipe surfaces clean and rinse completely with water immediately after applying cleaners.
- Clean Chrome, stainless steel surfaces once a week. Do not use cleaners containing chloride on chrome, stainless steel. If used, rinse the surface immediately to prevent corrosion.
- Wherever chrome plating is used on the products, use only warm water to clean and then dry with a soft cloth.

**QUALITY MANAGEMENT SYSTEM - ISO 9001**



DISCLAIMER: Our every effort has been made to ensure factual accuracy, the information presented subject to changes due to requirements in different sites, markets and/ or countries. All dimensions are in mm (Tolerance  $\pm 5$  MM). Jaquar reserves the right to make the necessary amendments at any time without prior notice.  
# For Installation Refer Actual Product