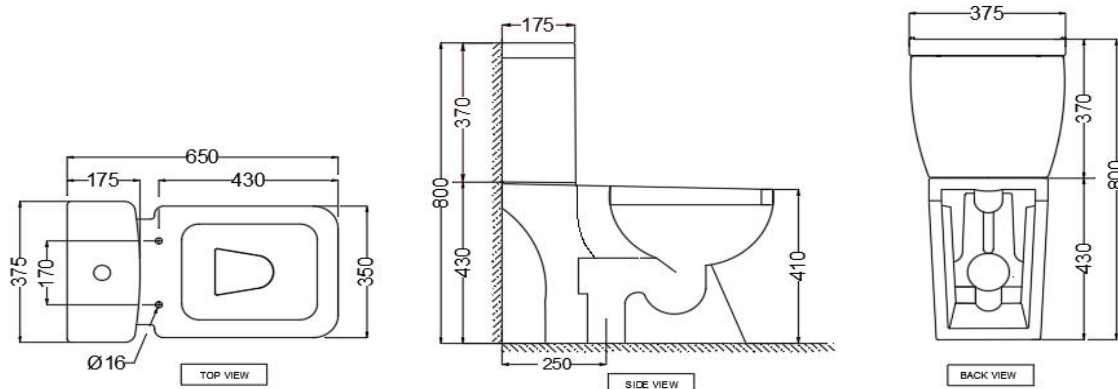


SPECIFICATION DATA SHEET
PRODUCT DETAILS

Manufacturer	Jaquar	Type	Complete Set For Coupled WC (S-Trap)
Outlet	Vertical	Flush valves	Dual Flush
Colour	White	Material	Ceramic - Vitreous China
Technical Details	External diameter of outlet hole $\varnothing 100 \pm 5$ mm		
	Horizontal distance between the wall line and the centre line of the waste outlet hole ≤ 250 mm		

PRODUCT IMAGE

TECHNICAL DRAWING


Product Dimension	375X650X800 mm	FEATURES Convenience benefit to customer (Price + Combined packing), Box rim with heavy duty seat cover, Dual Flush-3/6 LPF, Anti germ glaze, Trap glaze.
Trap Distance	S Trap - 250 mm	
Product Weight	40.1 Kg	

ACCESSORIES INCLUDED

UF Soft Close Seat cover	ARS-WHT-39105UF
Floor fixing screw	ZPS-SNS-FB01
Wax seal	ZPS-WHT-1401
Cistern	ARS-WHT-39201C
Cistern Fittings	ZCF-WHT-FT003

CERTIFICATION

Compliance : EN 997 :2012+A1 2015 (E), SANS 497:2011

All technical dimensions are in accordance to British standards, Bureau of Indian Standards


 DISCLAIMER: Our every effort has been made to ensure factual accuracy, the information presented subject to changes due to requirements in different sites, markets and/ or countries. All dimensions are in mm (Tolerance ± 5 MM). Jaquar reserves the right to make the necessary amendments at any time without prior notice.