



FLS-WHT-5953UFSM

SPECIFICATION DATA SHEET

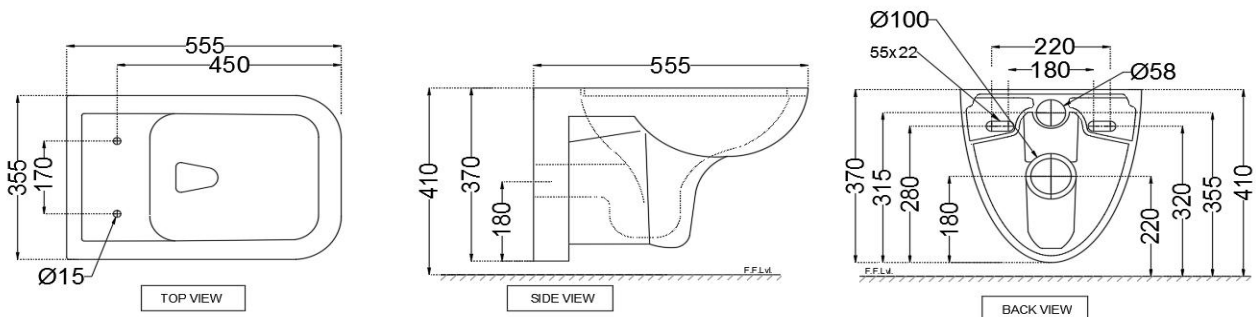
PRODUCT DETAILS

Manufacturer	Jaquar	Type	Wall Hung WC
Colour	White	Flush valves	Regular, Dual & I Flush advantages
Outlet	Horizontal	Material	Ceramic - Vitreous China
Technical Details	Internal diameter of inlet hole $\varnothing 58 +2 /-1$ mm External diameter of outlet hole $\varnothing 100 +5 /-2$ mm		

PRODUCT IMAGE



TECHNICAL DRAWING



Product Dimension	355x555x370 mm	FEATURES
Product Weight	18.69 KG	Rimless bowl design, Trap glaze, Slim seat cover, Dual Flush-3/6 LPF, Anti germ glaze.

ACCESSORIES INCLUDED

UF soft Close seat cover	FLS-WHT-5103UF
Inlet & Outlet gasket	ZPS-WHT-GK01

ACCESSORIES EXCLUDED

Rag bolt	ZPS-SNS-RB01
Concealed Cistern	JCS-WHT-2400S,2400FS,2400WS

CERTIFICATION

Compliance : EN 997:2012 + A1:2015 (E), SANS 497:2011



All technical dimensions are in accordance to British standards, Bureau of Indian Standards

DISCLAIMER: Our every effort has been made to ensure factual accuracy, the information presented subject to changes due to requirements in different sites, markets and/ or countries. All dimensions are in mm (Tolerance ± 5 MM). Jaquar reserves the right to make the necessary amendments at any time without prior notice.