



BATH + LIGHT



WALL LIGHT 8W

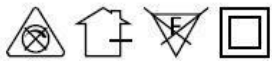
Octan LED UP Wall Light

Outdoor Luminaire

Product Code:

LWWL02R108XW

8W - 520lm - 3000K - CRI>70 Ra - Beam Angle - 88°



Technical Specifications

Operating Temperature	-10°C to 50°C
Rated Input Voltage & Frequency	220-240 V AC, 50Hz
Rated Input Wattage	8W ± 10%
Rated Input Current	0.040 Amp (Nominal)
Power Factor	>0.9
ATHD	<30%
Rated Luminous Flux	520 lm (tolerance as per BIS)
Rated Luminaire Efficacy	65 lm/W (tolerance as per BIS)
Correlated Color Temperature (CCT)	3000 K (tolerance as per ANSI)
Color Rendering Index (CRI)	>70 Ra
Beam Angle	88° (within the permissible limits)
Driver Efficiency	≥80%
LED Life Span	>50000 Hrs (Ta=25°C @L70)
Housing	Aluminium Die Cast with Powder Coating
Lens / Reflector	Opal Polycarbonate Diffuser
Mounting	Surface/Wall

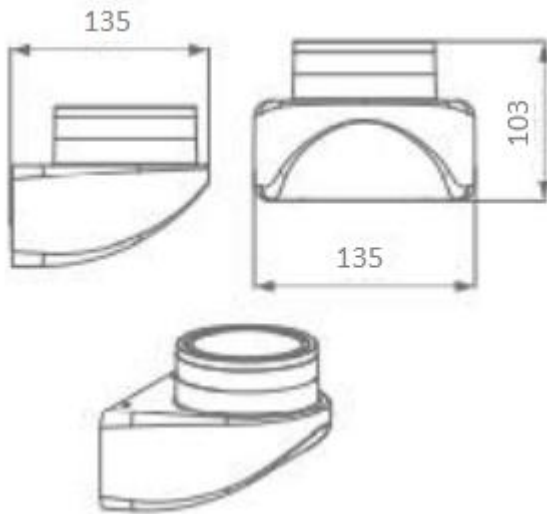
Protections

Over Voltage Protection	300 V AC upto 20 Min.
Surge Protection	±2.0KV
Protection Class	Class II
Ingress Protection (IP Rating)	IP54
Impact Protection (IK Rating)	IK07
Short Circuit Protection	Provided
Open Circuit Protection (No Load)	Provided
Reverse Polarity Protection	Provided

All technical data is subject to industry-standard tolerances.

Product Dimensions (L x W x H)

135 X 135 X 103 mm (Tol.±5 mm)



Applications

Residences, Offices, Small Retail Shops, Hotels, Coffee Shops, Restaurants, Hospitals, area lighting and for other outdoor applications.