



BATH + LIGHT

GROUND BURIAL 10W

Polaris LED Ground Burial

Outdoor Luminaire

Product Code:

LGBL05R101XW

10W - 900lm - 3000K - CRI>70 Ra - Beam Angle - 16°



Technical Specifications

Operating Temperature	-10°C to 50°C
Rated Input Voltage & Frequency	220-240 V AC, 50 Hz
Rated Input Wattage	10W ± 10%
Rated Input Current	0.050 Amp (Nominal)
Power Factor	>0.90
Rated Luminous Flux	900 lm (tolerance as per BIS)
Rated Luminaire Efficacy	90 lm/W (tolerance as per BIS)
Correlated Color Temperature (CCT)	3000 K (tolerance as per ANSI)
Color Rendering Index (CRI)	>70 Ra
Beam Angle	16° (within the permissible limits)
Driver Efficiency	≥80%
LED Life Span	>50000 Hrs (Ta=25°C @L70)
Housing	Aluminium Die Cast with Stainless Steel Ring
Lens / Reflector	PC Lens and Transparent Tempered Glass Diffuser
Mounting	Surface/Ground

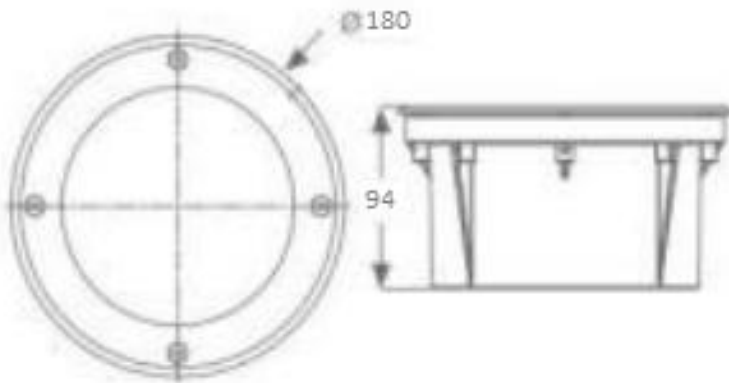
Protections

Over Voltage Protection	300 V AC upto 20 min.
Surge Protection	±2.0KV
Protection Class	Class I
Ingress Protection (IP Rating)	IP67
Impact Protection (IK Rating)	IK09
Short Circuit Protection	Provided
Open Circuit Protection (No Load)	Provided
Reverse Polarity Protection	Provided

All technical data is subject to industry-standard tolerances.

Product Dimensions (Dia. x H)

Ø180 X 94 mm (tol.±5 mm)



Applications

Residences, Offices, Small Retail Shops, Hotels, Coffee Shops, Restaurants, Hospitals, area lighting and for other outdoor applications.