

STRELLA ROUND 3 IN 1 15W

STRELLA ROUND DOWNLIGHT 3 IN 1

Indoor Luminaire

Product Code:

LSTA3IN1R15X

15W - 1500lm - 6500K - CRI>80 Ra - Beam Angle 120°



Technical Specifications

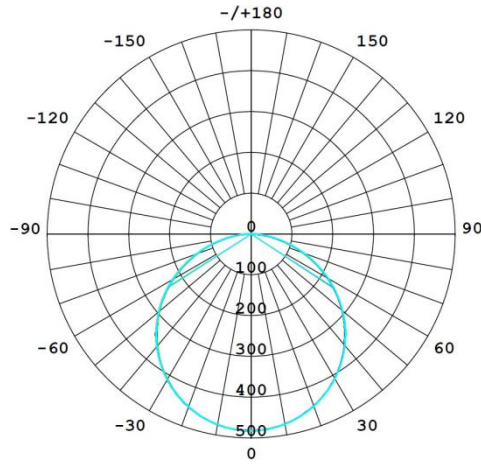
Operating Temperature	-10°C to 40°C
Rated Input Voltage & Frequency	220 ~ 240 VAC, 50Hz
Rated Input Wattage	15W ± 10%
Rated Input Current	0.07 Amp (Nominal)
Power Factor	≥0.95
ATHD	<15%
Rated Luminous Flux	1500 lm / 1425 lm / 1350 lm (tolerance as per BIS)
Rated Luminaire Efficacy	100 lm/W / 95 lm/W / 90 lm/W (tolerance as per BIS)
Correlated Color Temperature (CCT)	Cool White(6500K±510) /Neutral White(4000K±275) / Warm White(3000K±175) (tolerance as per ANSI)
Color Rendering Index (CRI)	>85 Ra
Beam Angle	120° (within the permissible limits)
Driver Efficiency	>85%
LED Life Span	>50000 Hrs (Ta=25°C @L70)
Housing	PC. housing
Lens / Reflector	PC. Diffuser
Mounting	Recess

Protections

Over Voltage Protection	Withstand upto 380V/AC for 2 Hrs.
Surge Protection	±4.0KV
Protection Class	Class II
Ingress Protection (IP Rating)	IP20
Impact Protection (IK Rating)	IK02
Short Circuit Protection	Provided
Open Circuit Protection (No Load)	Provided
Reverse Polarity Protection	Provided

All technical data is subject to industry-standard tolerances.

Light Distribution

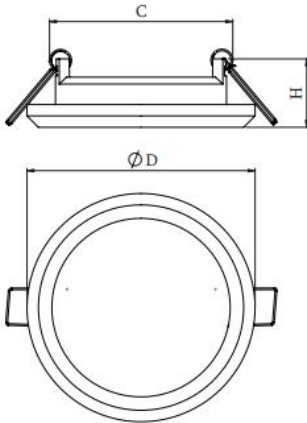


UGR Table

ceiling/cavity	0.7	0.7	0.5	0.5	0.3	0.7	0.7	0.5	0.5	0.3
walls	0.5	0.3	0.5	0.3	0.3	0.5	0.3	0.5	0.3	0.3
working plane	0.2	0.2	0.2	0.2	0.2	0.2	0.2	0.2	0.2	0.2
Room dimensions	Viewed crosswise					Viewed endwise				
x = 2H y = 2H	18.0	19.6	18.3	19.8	20.0	18.1	19.6	18.3	19.8	20.0
3H	19.5	21.0	19.8	21.2	21.4	19.6	21.1	19.9	21.3	21.5
4H	20.1	21.5	20.5	21.7	22.0	20.3	21.6	20.6	21.9	22.1
6H	20.5	21.8	20.9	22.1	22.4	20.7	22.0	21.1	22.3	22.6
8H	20.6	21.9	21.0	22.2	22.5	20.9	22.1	21.2	22.4	22.7
12H	20.7	21.9	21.0	22.2	22.5	21.0	22.1	21.3	22.4	22.7
4H 2H	18.6	20.0	19.0	20.2	20.5	18.7	20.0	19.0	20.3	20.6
3H	20.3	21.5	20.7	21.8	22.1	20.4	21.6	20.8	21.9	22.2
4H	21.1	22.1	21.4	22.5	22.8	21.2	22.3	21.6	22.6	22.9
6H	21.6	22.5	22.0	22.9	23.3	21.8	22.7	22.2	23.1	23.5
8H	21.7	22.6	22.2	23.0	23.4	22.0	22.9	22.4	23.2	23.6
12H	21.8	22.6	22.2	23.0	23.4	22.1	22.9	22.5	23.3	23.7
8H 4H	21.3	22.2	21.8	22.6	23.0	21.5	22.4	21.9	22.7	23.1
6H	22.0	22.7	22.4	23.1	23.6	22.2	22.9	22.6	23.3	23.8
8H	22.2	22.9	22.7	23.3	23.8	22.5	23.1	22.9	23.6	24.0
12H	22.3	22.9	22.8	23.4	23.8	22.7	23.2	23.1	23.7	24.2
12H 4H	21.4	22.2	21.8	22.6	23.0	21.5	22.3	21.9	22.7	23.1
6H	22.1	22.7	22.5	23.1	23.6	22.2	22.9	22.7	23.3	23.8
8H	22.3	22.9	22.8	23.3	23.8	22.5	23.1	23.0	23.6	24.0
Variations with the observer position at spacings (CIE Pub.117):										
S = 1.0H	+ 0.2 / - 0.2					+ 0.1 / - 0.2				
1.5H	+ 0.2 / - 0.3					+ 0.2 / - 0.3				
2.0H	+ 0.2 / - 0.3					+ 0.2 / - 0.3				

Product Dimensions (Dia..x H)

Ø161 x 35 mm (Tol. ± 5 mm), Cutout Size Ø149 mm



Applications

Residences, Offices, Small Retail Shops, Hotels, Coffee Shops, Restaurants, Hospitals, area lighting and for other indoor applications.