

**ZOOM LIGHT 15W**

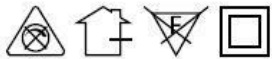
ZOOM LIGHT

Indoor Luminaire

Product Code:

LZOM01R015XC / LZOM01R015XN / LZOM01R015XW

15W - 1275lm - 6500K - CRI>90 - Beam Angle 40°



**Technical Specifications**

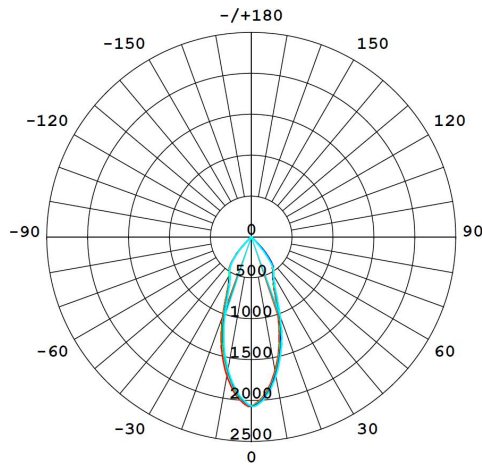
Operating Temperature	-10°C to 40°C
Rated Input Voltage & Frequency	230 VAC, 50Hz
Rated Input Wattage	15W ± 10%
Rated Input Current	0.070 Amp (Nominal)
Power Factor	≥0.90
THD	<10%
Rated Luminous Flux	1275 lm / 1200 lm / 1125 lm (tolerance as per BIS)
Rated Luminaire Efficacy	85 lm/W / 80 lm/W / 75 lm/W (tolerance as per BIS)
Correlated Color Temperature (CCT)	6500 K / 4000 K / 3000 K (tolerance as per ANSI)
Color Rendering Index (CRI)	>90
Beam Angle	40°
Driver Efficiency	≥85%
LED Life Span	>50000 Hrs (Ta=25°C @L70)
Housing	Die Cast Aluminium with White Powder Coating
Lens / Reflector	Anodized Reflector with PC Diffuser
Mounting	Recessed

**Protections**

Over Voltage Protection	Withstand upto 360V/AC for 4 Hrs.
Surge Protection	±2.5KV
Protection Class	Class II
Ingress Protection (IP Rating)	IP20
Impact Protection (IK Rating)	IK02
Short Circuit Protection	Provided
Open Circuit Protection (No Load)	Provided
Reverse Polarity Protection	Provided

All technical data is subject to industry-standard tolerances.

# Light Distribution

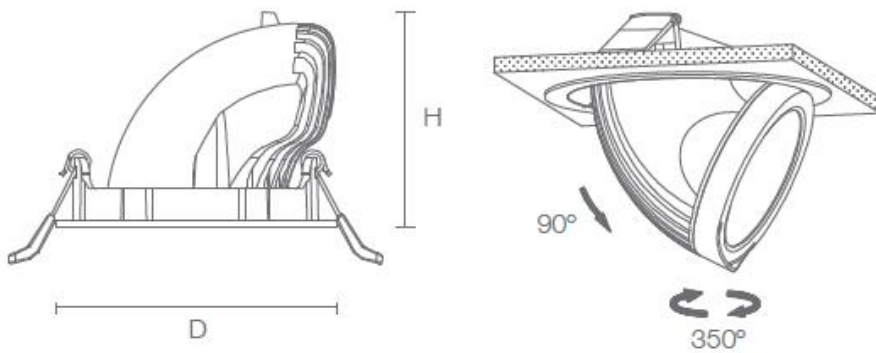


## UGR Table

ceiling/cavity	0.7	0.7	0.5	0.5	0.3	0.7	0.7	0.5	0.5	0.3
walls	0.5	0.3	0.5	0.3	0.3	0.5	0.3	0.5	0.3	0.3
working plane	0.2	0.2	0.2	0.2	0.2	0.2	0.2	0.2	0.2	0.2
Room dimensions	Viewed crosswise					Viewed endwise				
x = 2H y = 2H	9.6	10.6	9.8	10.7	10.9	9.6	10.5	9.8	10.7	10.9
3H	9.5	10.3	9.7	10.5	10.7	9.4	10.3	9.7	10.5	10.7
4H	9.4	10.2	9.7	10.4	10.6	9.4	10.2	9.6	10.4	10.6
6H	9.3	10.1	9.6	10.3	10.5	9.3	10.0	9.6	10.3	10.5
8H	9.2	10.0	9.6	10.2	10.5	9.2	10.0	9.5	10.2	10.5
12H	9.2	9.9	9.5	10.2	10.4	9.2	9.9	9.5	10.1	10.4
4H 2H	9.4	10.2	9.7	10.4	10.6	9.3	10.2	9.6	10.4	10.6
3H	9.2	9.9	9.5	10.2	10.5	9.2	9.9	9.5	10.2	10.4
4H	9.1	9.8	9.5	10.1	10.4	9.1	9.7	9.5	10.0	10.4
6H	9.0	9.6	9.4	9.9	10.3	9.0	9.6	9.4	9.9	10.2
8H	9.0	9.5	9.4	9.9	10.2	9.0	9.5	9.4	9.8	10.2
12H	8.9	9.4	9.3	9.8	10.2	8.9	9.4	9.3	9.8	10.1
8H 4H	9.0	9.5	9.4	9.9	10.2	9.0	9.5	9.4	9.8	10.2
6H	8.9	9.3	9.3	9.7	10.1	8.9	9.3	9.3	9.7	10.1
8H	8.8	9.2	9.3	9.6	10.1	8.8	9.2	9.3	9.6	10.0
12H	8.8	9.1	9.2	9.5	10.0	8.8	9.1	9.2	9.5	10.0
12H 4H	8.9	9.4	9.3	9.8	10.2	8.9	9.4	9.3	9.8	10.1
6H	8.8	9.2	9.3	9.6	10.1	8.8	9.2	9.3	9.6	10.0
8H	8.8	9.1	9.2	9.5	10.0	8.8	9.1	9.2	9.5	10.0
Variations with the observer position at spacings (CIE Pub.117):										
S = 1.0H	+ 2.5 / -12.8					+ 2.6 / -12.6				
1.5H	+ 5.1 / -10.8					+ 5.1 / -10.6				
2.0H	+ 7.1 / - 5.6					+ 7.2 / - 5.3				

## Product Dimensions (Dia. x H), Cutout (Dia.)

Ø94 X 72mm, Cutout Ø85mm



## Applications

Residences, Offices, Small Retail Shops, Hotels, Coffee Shops, Restaurants, Hospitals, area lighting and for other indoor applications.