

MIRA 20W

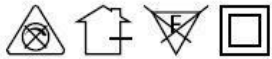
MIRA

Projector Lights

Product Code:

5521LL20H.INX

20W - 1400lm - 3000K - CRI>80 Ra



Technical Specifications

Operating Temperature	-10°C to 50°C
Rated Input Voltage & Frequency	230 VAC, 50Hz
Rated Input Wattage	20W ± 10%
Rated Luminous Flux	1400 lm (tolerance as per BIS)
Rated Luminaire Efficacy	70 lm/W (tolerance as per BIS)
Correlated Color Temperature (CCT)	3000 K (tolerance as per ANSI)
Color Rendering Index (CRI)	>80 Ra
Driver Efficiency	≥80%
LED Life Span	>50000 Hrs (Ta=25°C @L70)
Housing	Die Cast Aluminium
Lens / Reflector	Transparent Glass Diffuser
Mounting	Surface/Ground

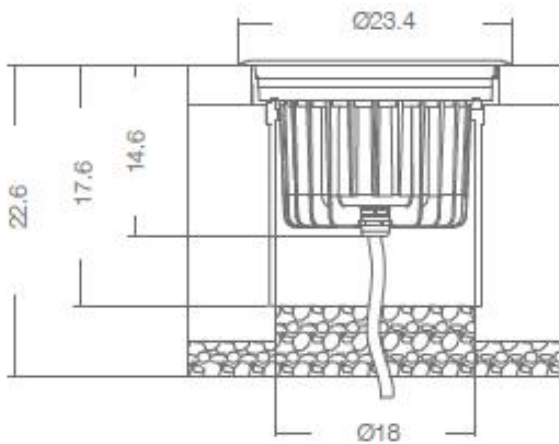
Protections

Ingress Protection (IP Rating)	IP67
Impact Protection (IK Rating)	IK10

All technical data is subject to industry-standard tolerances.

Product Dimensions (Dia. x H)

Ø234 X 176 mm



Applications

Façade lighting, Accent lighting, Atriums and columns,
Architectural lighting, Varied beam angle applications