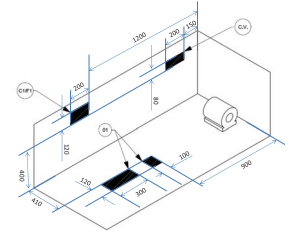
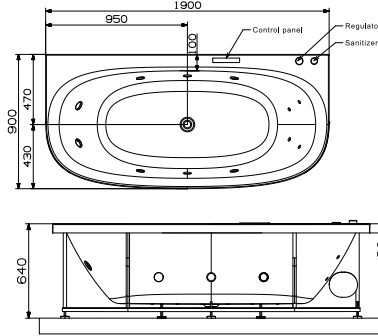


Image is only for illustration purpose



<b>Model :</b>	ARC
<b>Category:</b>	Whirlpool Combi System
<b>Code:</b>	JWP-WHT-ARC190CX
<b>Size (mm):</b>	1900 x 900 x 470
<b>Material:</b>	Acrylic PMMA
<b>Reinforcement:</b>	PU GREEN
<b>Accessories Included:</b>	- Drain & Overflow with Filler - Frame SS202 - Headrest
<b>Accessories Excluded:</b>	Front Panel: JWA-WHT-ARCFPX Side Panel: JWA-WHT-ARCSPX Note: In case of one side wall installation two side panels and one front panel is must for installation.
<b>Features</b>	Water Pump : 1.40 Hp@50 Hz Water Jets : 8 Back Jet : 4 Air Blower : 0.90 Hp @50/60Hz Air Jets : 12 Keypad Control Air Regulator Water Level Sensor Chromotherapy Disinfection System Vaccum Suction Breaker 3 Tier Testing