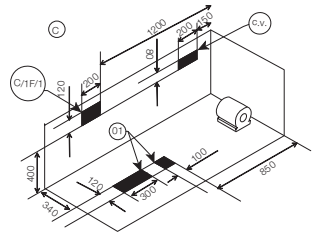
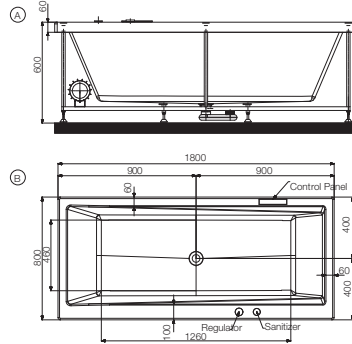


Image is only for illustration purpose



Model :	Kubix
Category:	Whirlpool Combi System
Code:	JWP-WHT-KUBIX180CX
Size (mm):	1800 x 800 x 470
Material:	Acrylic PMMA
Reinforcement:	PU GREEN
Accessories Included:	- Drain & Overflow with Filler - Frame SS202 - Headrest
Accessories Excluded:	Front Panel : JWA-WHT-FP180X Side Panel: JWA-WHT-SP80X
Features	Water Pump : 1.40 Hp@50 Hz Water Jets : 8 Back Jet : 4 Air Blower : 0.90 Hp @50/60Hz Air Jets : 12 Keypad Control Air Regulator Water Level Sensor Chromotherapy Disinfection System Vaccum Suction Breaker 3 Tier Testing