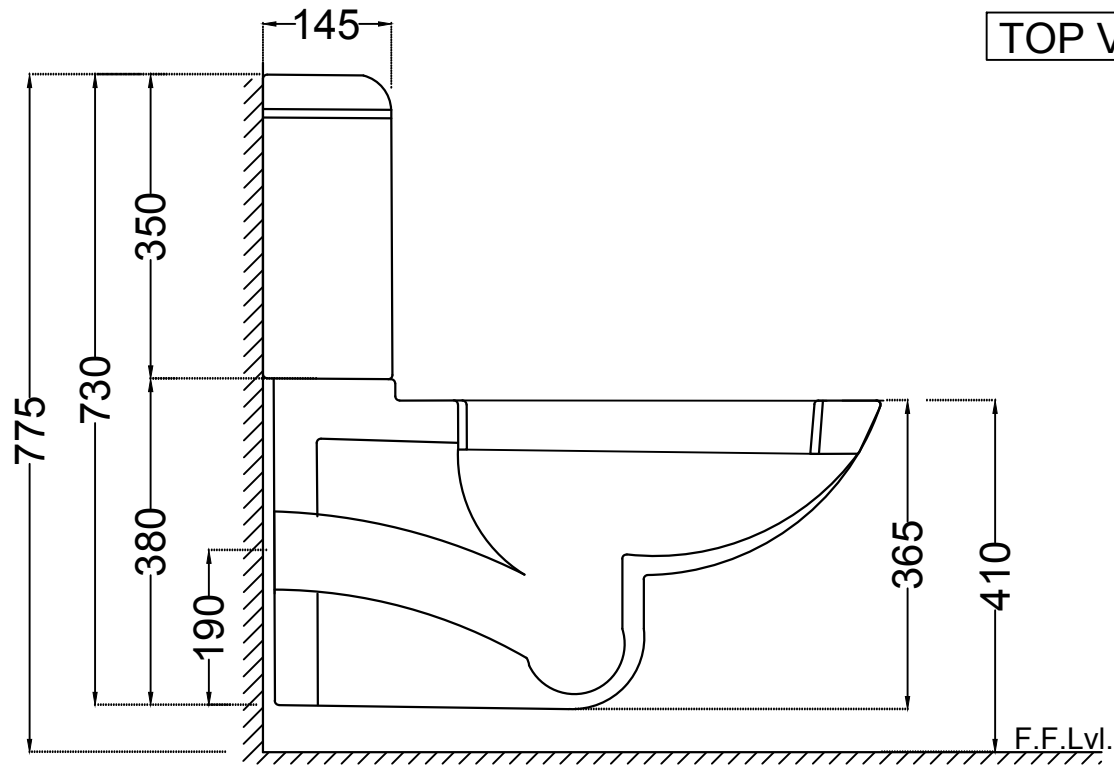
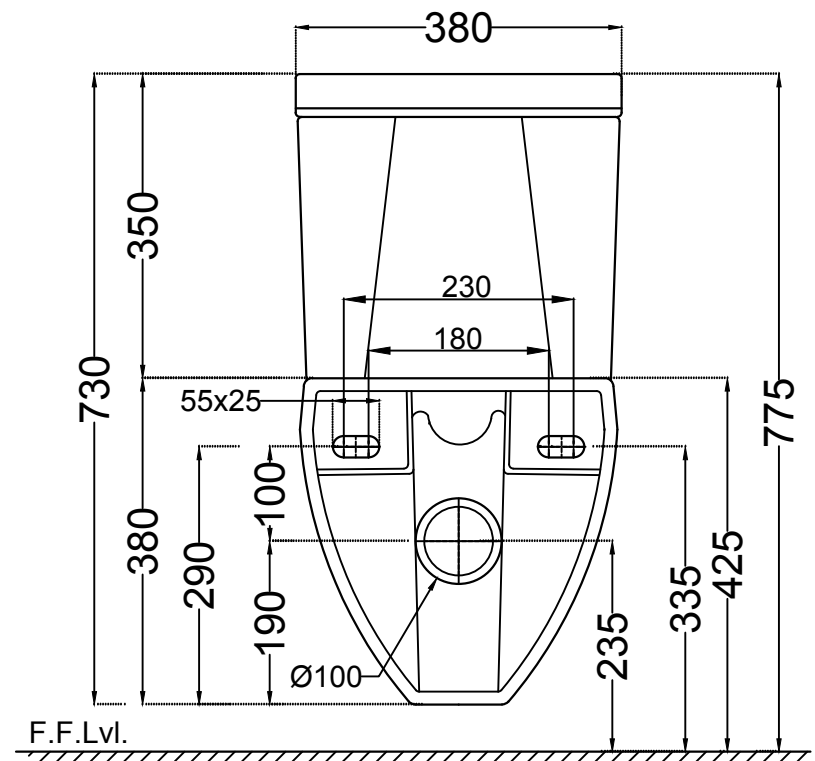



TOP VIEW



SIDE VIEW



BACK VIEW

 <p>Jaquar Group Global Headquarters Plot No. 3, Sector- M-11, IMT Manesar Gurgaon, NCR - 122050, India E-mail : Sales: support@jaquar.com Customer Service : service@jaquar.com</p>	ITEM CODE	FLS-WHT-5353PPZ
	ITEM TYPE	Complete Set For Extended Wall Hung WC
	ITEM SIZE	380x650x730mm
	ALL DIMENSIONS ARE IN MM. (TOLERANCE ± 5 MM)	