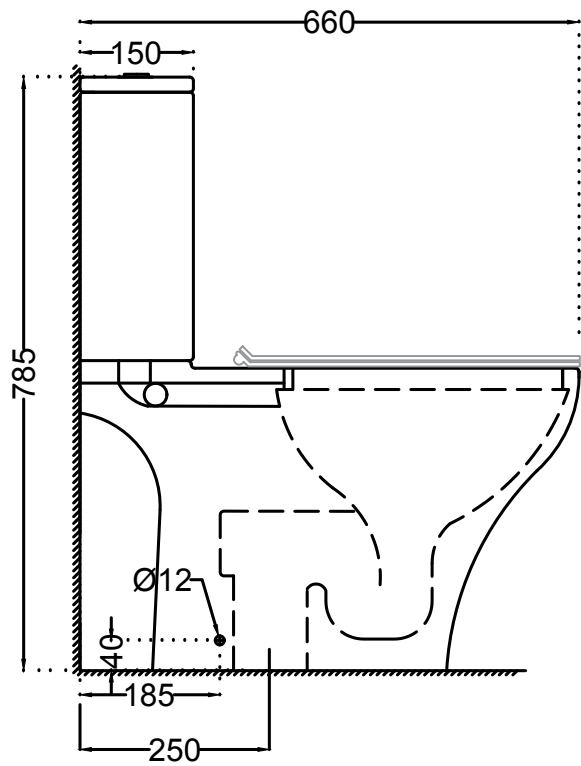
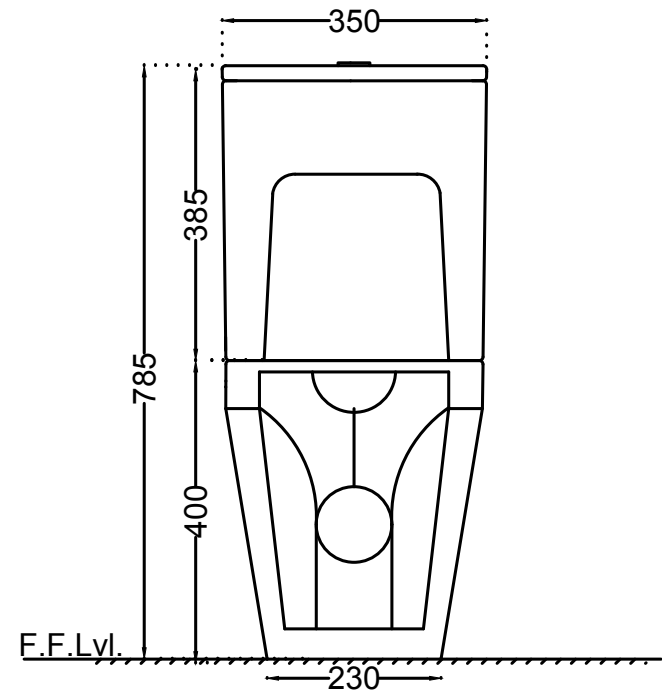



TOP VIEW



SIDE VIEW



BACK VIEW

	Jaquar Group Global Headquarters Plot No. 3, Sector- M-11, IMT Manesar Gurgaon, NCR - 122050, India E-mail : Sales: support@jaquar.com Customer Service : service@jaquar.com	
	ITEM CODE	CNS-WHT-759S250UFSMZ
	ITEM TYPE	COUPLED WC S-TRAP-250 MM
	ITEM SIZE	350X660X785 mm
ALL DIMENSIONS ARE IN MM. (TOLERANCE ± 5 MM)		