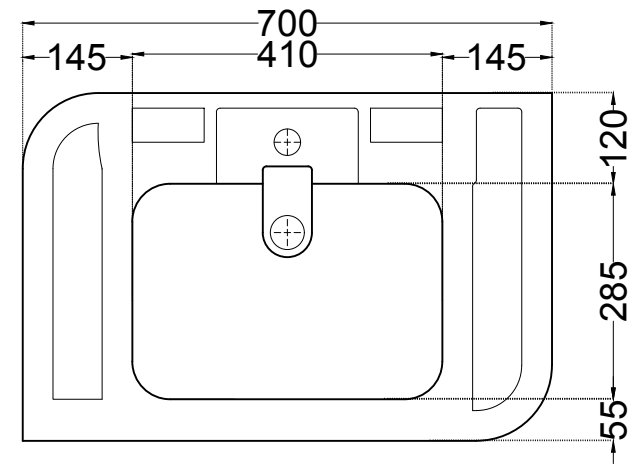
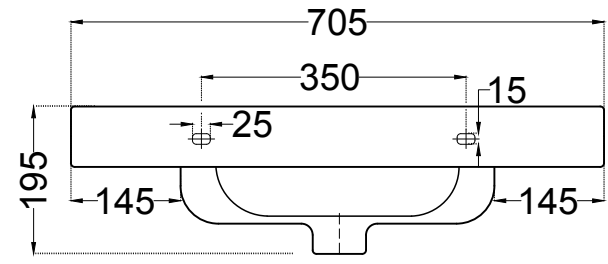


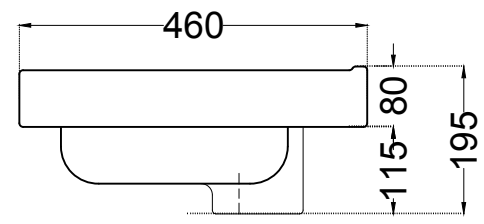
TOP VIEW




BOTTOM VIEW



BACK VIEW



SIDE VIEW

|   |  |  |           |                   |
|---|--|--|-----------|-------------------|
|  | <b>Jaquar Group</b><br>Global Headquarters<br>Plot No. 3, Sector- M-11, IMT Manesar<br>Gurgaon, NCR - 122050, India<br>E-mail : Sales: support@jaquar.com<br>Customer Service : service@jaquar.com |  | ITEM CODE | ALS-WHT-85601     |
|   |  |  | ITEM TYPE | COUNTER TOP BASIN |
|   |  |  | ITEM SIZE | 705X460X195 mm    |
|   | ALL DIMENSIONS ARE IN MM. (TOLERANCE ± 5 MM)   |  |           |                   |