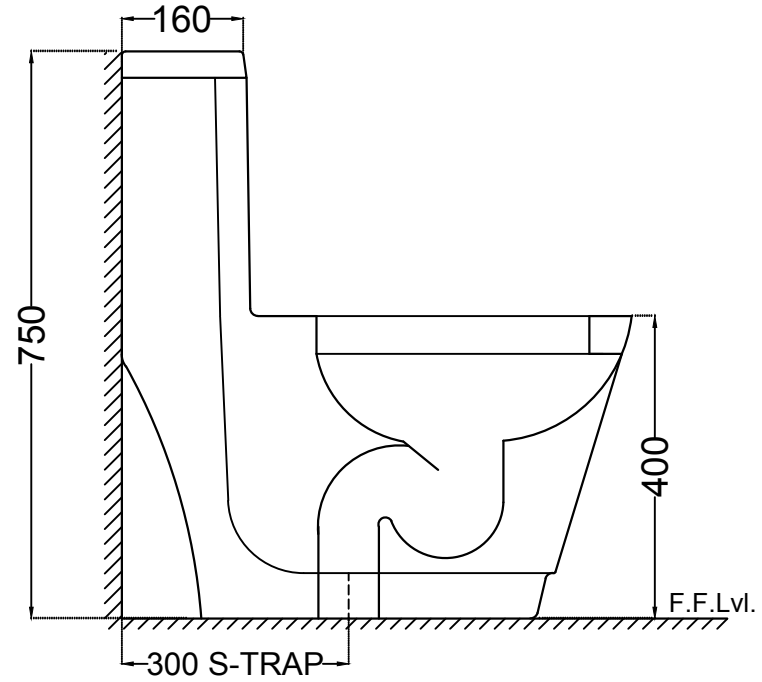



TOP VIEW



SIDE VIEW

	Jaquar Group	
	Global Headquarters Plot No. 3, Sector- M-11, IMT Manesar Gurgaon, NCR - 122050, India E-mail : Sales: support@jaquar.com Customer Service : service@jaquar.com	
	ITEM CODE	OPS-WHT-15853S300UF
	ITEM TYPE	Single piece-WC (S trap 300mm)
ITEM SIZE	360x675x750 mm	
ALL DIMENSIONS ARE IN MM. (TOLERANCE ± 5 MM)		