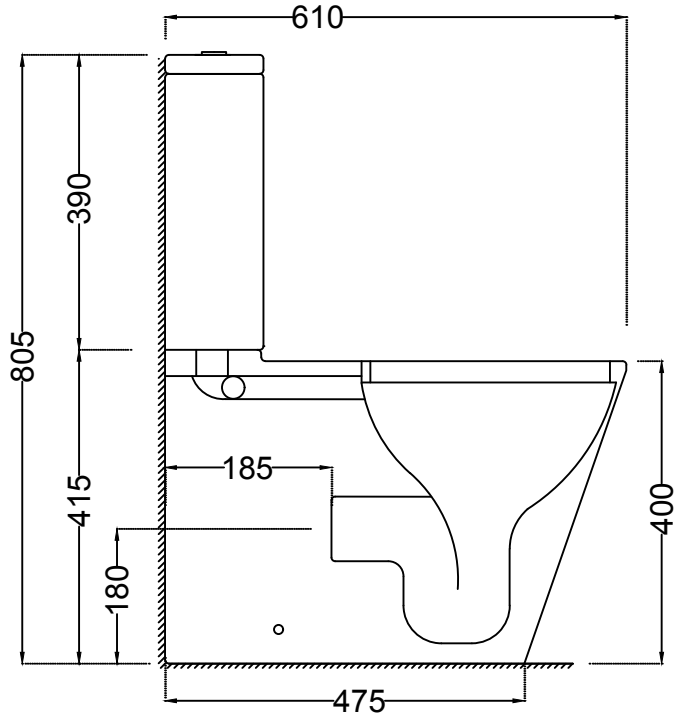
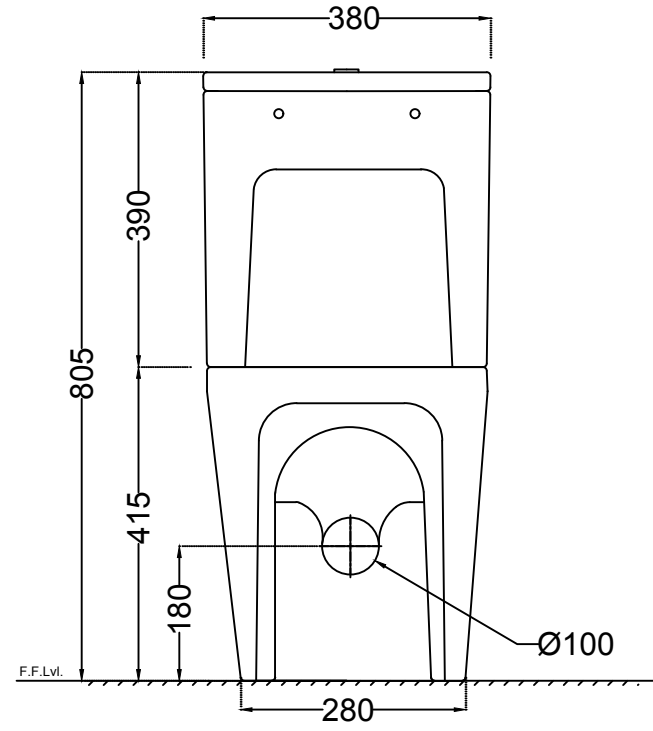



TOP VIEW



SIDE VIEW



BACK VIEW

	Jaquar Group Global Headquarters Plot No. 3, Sector- M-11, IMT Manesar Gurgaon, NCR - 122050, India E-mail : Sales: support@jaquar.com Customer Service : service@jaquar.com	
	ITEM CODE	VGS-WHT-81753P180UFSMZ
	ITEM TYPE	Coupled WC P TRAP-180 MM
	ITEM SIZE	380X610X805 mm
ALL DIMENSIONS ARE IN MM. (TOLERANCE ± 5 MM)		