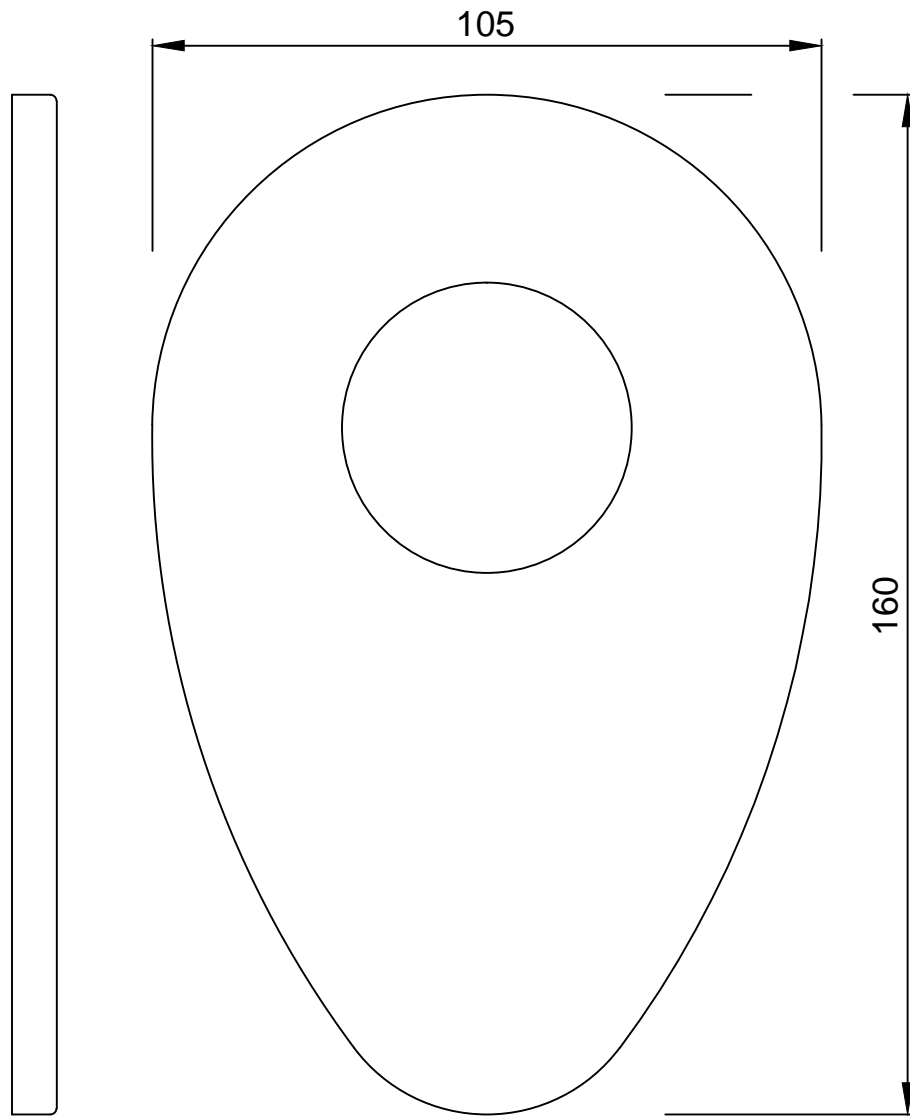
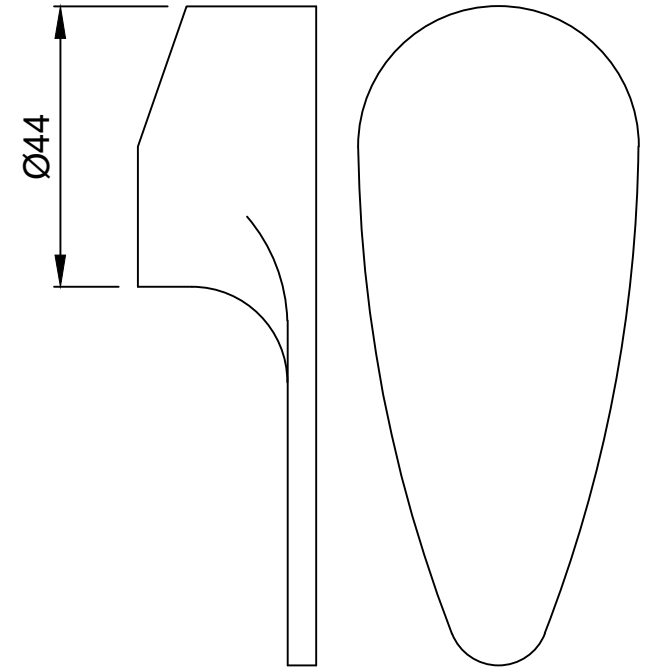


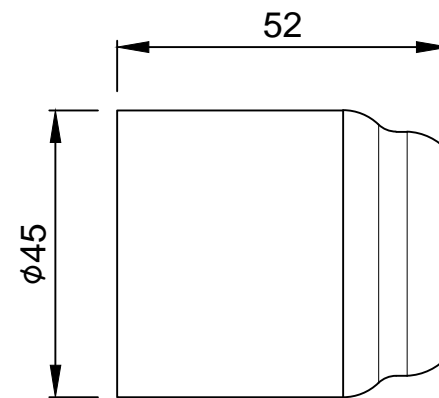
CAT.NO. VGP-81227K



WALL FLANGE



OPERATING LEVER



CARTRIDGE SLEEVE