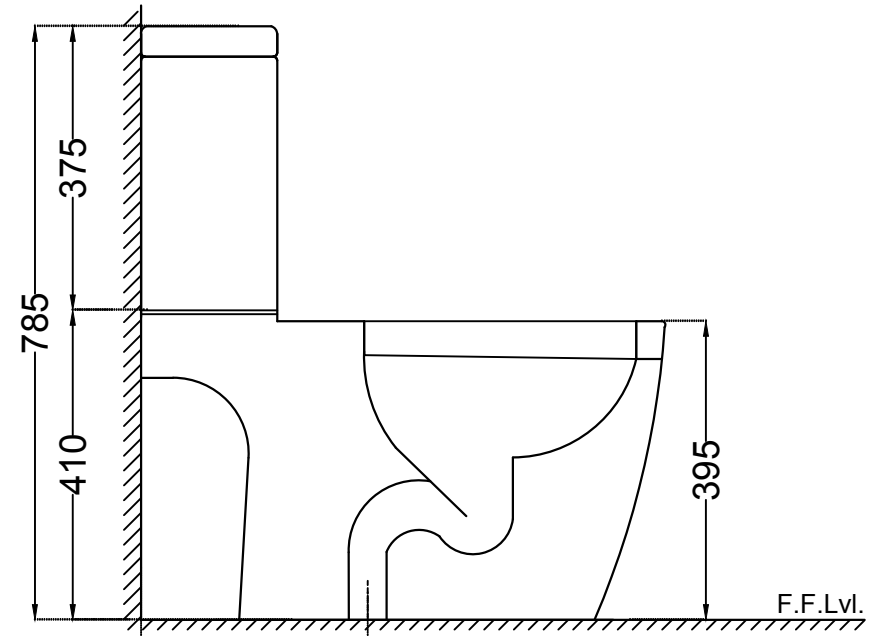



TOP VIEW



300 S-TRAP

SIDE VIEW

	Jaquar Group Global Headquarters Plot No. 3, Sector- M-11, IMT Manesar Gurgaon, NCR - 122050, India E-mail : Sales: support@jaquar.com Customer Service : service@jaquar.com		ITEM CODE	CNS-WHT-757NS300SPPZ
			ITEM TYPE	COUPLED WC S-TRAP-300 MM
			ITEM SIZE	410x695x785 mm
	ALL DIMENSIONS ARE IN MM. (TOLERANCE ± 5 MM)			